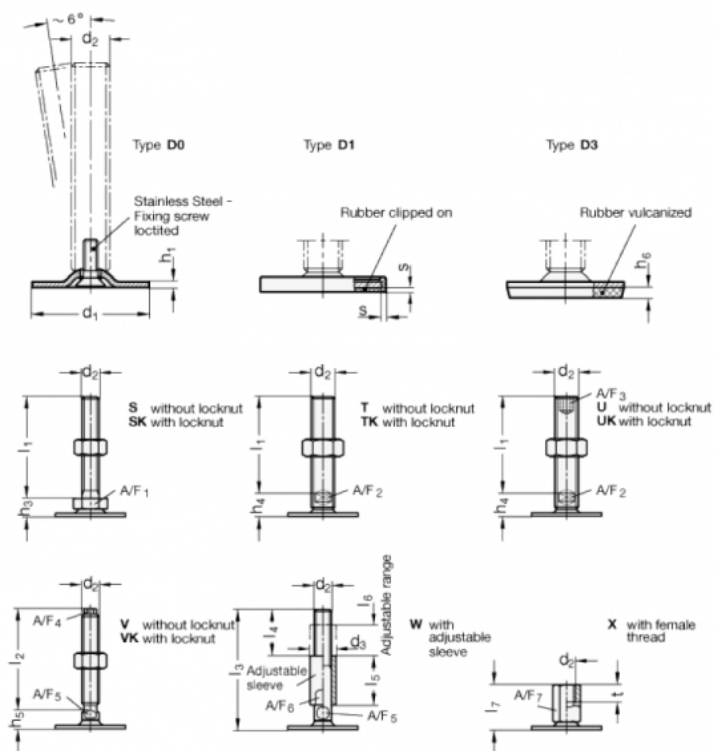


Article number: 204180M20150D1T
 Description: E+G levelling foot
 GN 41-80-M20-150-D1-T
 Note: T Without nut, Wrench flat at the bottom

Measures



A/F2 = 15
 d_1 = 80
 d_2 = M20
 h_1 = 3
 h_4 = 18
 h_6 =
 h_1 = 150
 s = 2